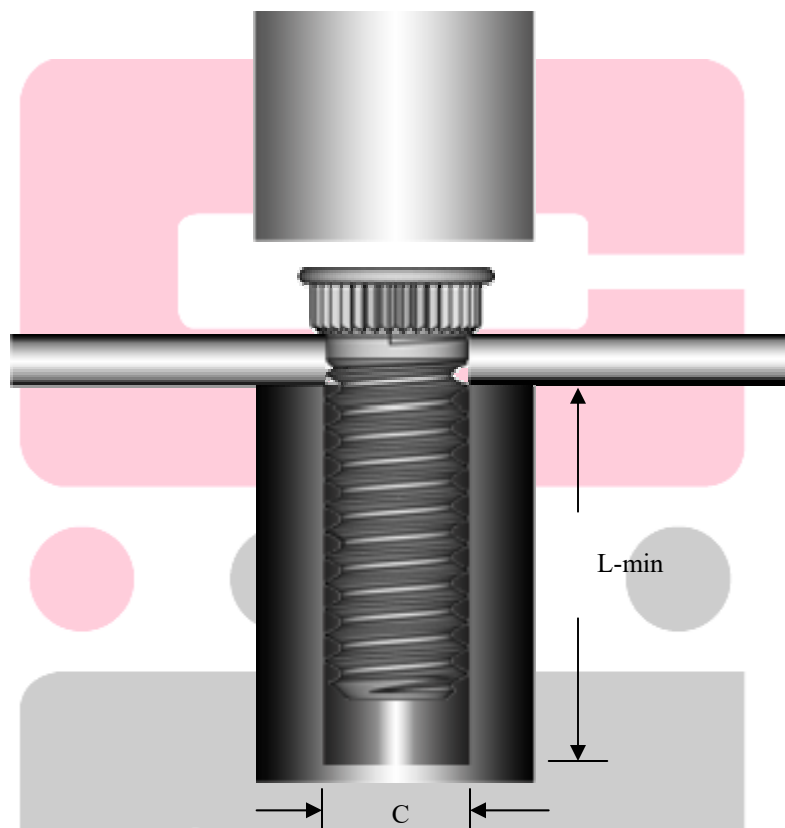


- Punch or drill properly sized mounting hole in board.
- Place fastener into mounting hole.
- With punch and anvil surfaces parallel, apply squeezing force until shoulder contacts the board.



INCH (in)	Thread size	C +.003 -.000
	440	.113
	632	.140
	832	.166
	1032	.191

METRIC (mm)	Thread Size	C +.08mm
	M3	3.1
	M4	4.1
	M5	5.1