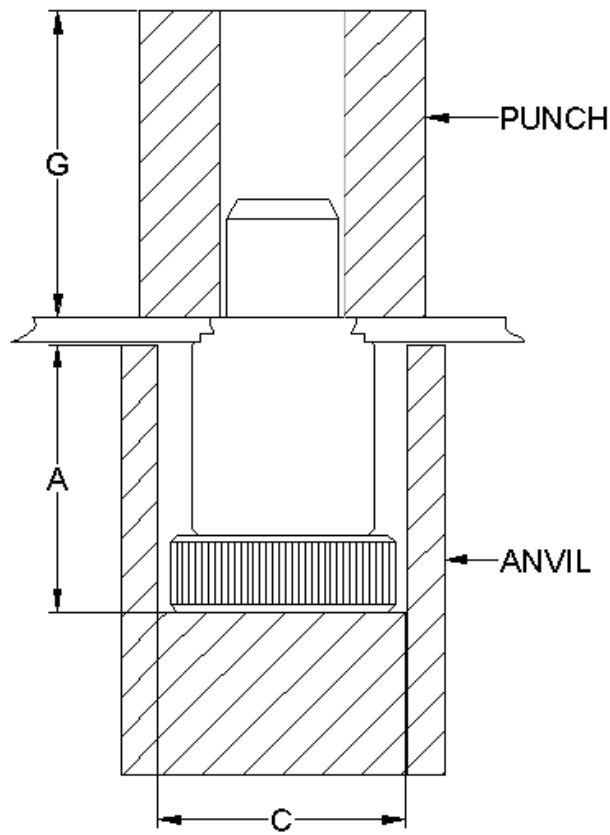


Prepare correct hole size in sheet material as specified in installation chart. With fastener resting in anvil, place hole in sheet over knurled area of fastener body. Place hole in punch over plunger pin and apply parallel squeezing force as specified, until top edge of body comes in contact with sheet.



UNIFIED	Plunger Diameter Code	Anvil Dimensions	
		A ±	C ±
	04	.585	.520

METRIC	Plunger Diameter Code	Anvil Dimensions	
		A ±	C ±
	04	14.86	13.21