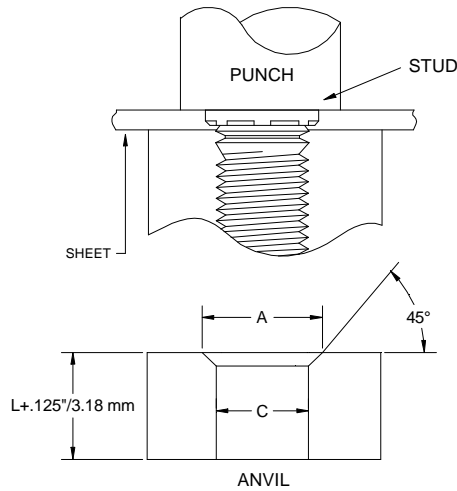


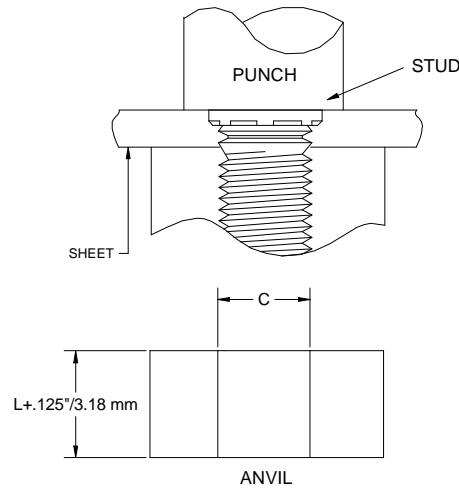
## INSTALLATION OF CAPTIVE FASTENER CHE

- Punch or drill the correct diameter mounting hole in sheet. Do not perform any secondary operations such as deburring.
- Insert the stud through the mounting hole of the sheet and into the anvil as shown in the drawing.
- With the punch and anvil surfaces parallel, apply only enough squeezing force to embed the stud's head flush in the sheet.

Tooling for panel thickness  
.059 / 1.5 mm and less.



Tooling for panel thickness  
.060 / 1.51 mm and greater.



UNIFIED	Thread Code	Anvil Dimensions (in)	
		A	C + .003
	256	.130-.134	.087
440	.156-.160	.113	
632	.182-.186	.139	
832	.208-.212	.165	
1032	.234-.238	.191	

METRIC	Thread Code	Anvil Dimensions (mm)	
		A	C + 0.08
	M2.5	3.6-3.7	2.53
M3	4.1-4.2	3.03	
M3.5	4.6-4.7	3.53	
M4	5.1-5.2	4.03	
M5	6.1-6.2	5.03	